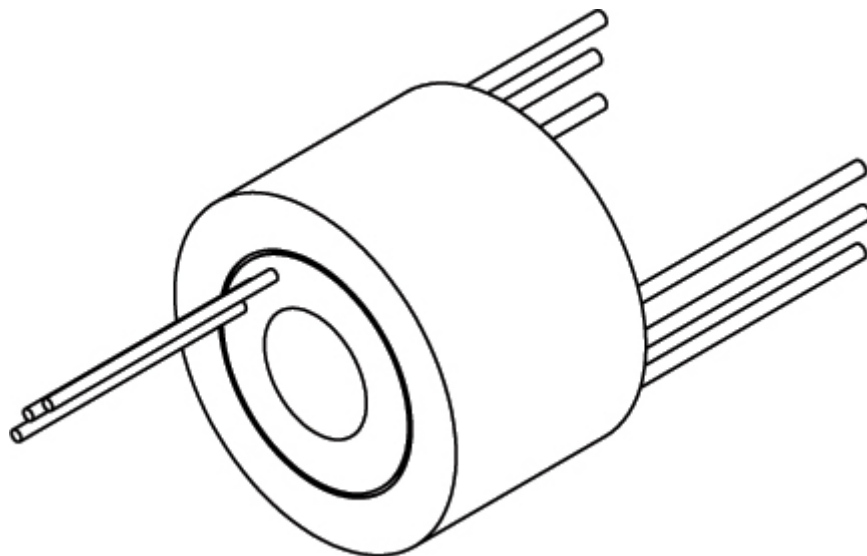


SERVOTRONIC AB

Slipring SETH12-35 Datasheet



Parameters:

Mechanical :

Working speed	500rpm
Operating temperature	-40°C~ +100°C
Contact material	Precious metal
IP Grade	IP 54

Electrical:

Circuit	6
Current	2A
Voltage	≤380V
Dielectric strength	≥1000V@50Hz between each circuit
Insulation resistance	1000MΩ@ 500VDC
Electric noise	≤7mΩ
Lead wire size	26AWG, UL, color Teflon, silver or tin plated
Lead wire length	200mm

SERVOTRONIC AB

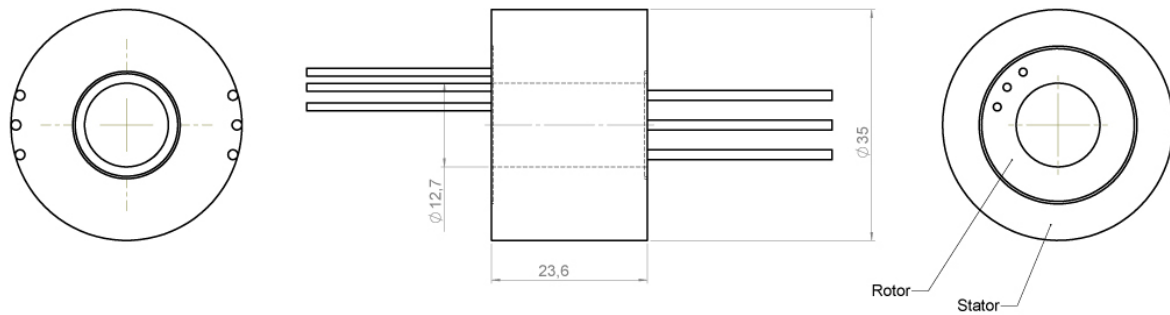
Redaregatan 2
Box 175
731 24 Köping
Sweden

Phone: +46 (0)221 - 137 60
Fax: +46 (0)221 - 195 42

Email: info@servotronic.se
Web: www.servotronic.se

SERVOTRONIC AB

CAD Drawing:



Dimension:

Type	Standard Rings	ID	OD
SETH12-35	6	$\phi 12,7$ mm	$\phi 35$ mm

Customization is available, OEM&ODM is welcome!