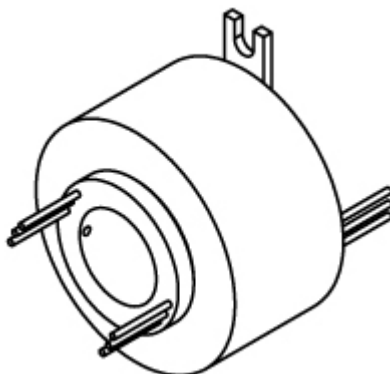


SERVOTRONIC AB

Slipring SETH38-99 Datasheet



Parameters:

Mechanical :

Working speed	1000rpm
Operating temperature	-40°C~ +100°C
Contact material	Precious metal
IP Grade	IP 54

Electrical:

Circuit	≤48
Current	5A,10A ,or combined rings to get higher current
Voltage	≤380V
Dielectric strength	≥1000V@50Hz between each circuit
Insulation resistance	1000MΩ@ 500VDC
Electric noise	≤7mΩ
Lead wire size	22AWG, 17AWG,14AWG,UL, color Teflon, silver or tin plated
Lead wire length	200mm

SERVOTRONIC AB

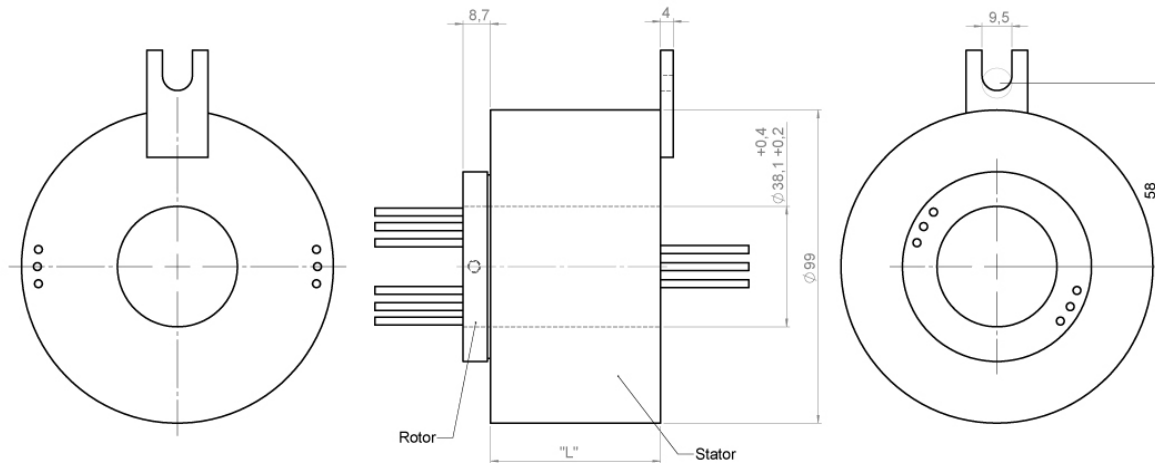
Redaregatan 2
Box 175
731 24 Köping
Sweden

Phone: +46 (0)221 - 137 60
Fax: +46 (0)221 - 195 42

Email: info@servotronic.se
Web: www.servotronic.se

SERVOTRONIC AB

CAD Drawing:



Critical Dimensions:

Model	Length (mm)	Current		Rings
		10A	5A	
SETH38-99	54	6	---	6
	54	---	12	12
	78	12	---	12
	78	---	24	24
	102	18	---	18
	102	---	36	36
	126	24	---	24
	126	---	48	48

Customization is available, OEM&ODM is welcome!

SERVOTRONIC AB

Redaregatan 2
Box 175
731 24 Köping
Sweden

Phone: +46 (0)221 - 137 60
Fax: +46 (0)221 - 195 42

Email: info@servotronic.se
Web: www.servotronic.se