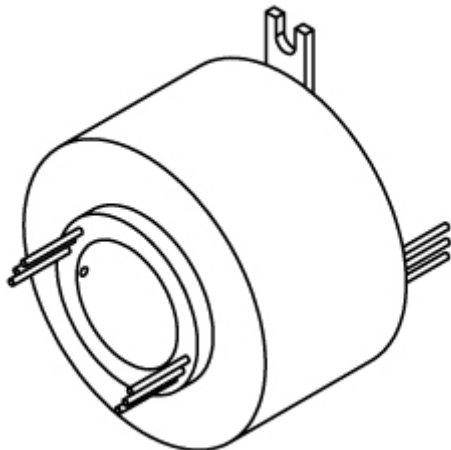


SERVOTRONIC AB

Slipring SETH50-120 Datasheet



Parameters:

Mechanical :

Working speed	1000rpm
Operating temperature	-40°C~ +100°C
Contact material	Precious metal
IP Grade	IP 54

Electrical:

Circuit	≤72
Current	5A,10A ,15A, 20A or combined rings to get higher current
Voltage	≤380V
Dielectric strength	≥1000V@50Hz between each circuit
Insulation resistance	1000MΩ@ 500VDC
Electric noise	≤7mΩ
Lead wire size	22AWG, 17AWG,14AWG,UL, color Teflon, silver or tin plated
Lead wire length	200mm

SERVOTRONIC AB

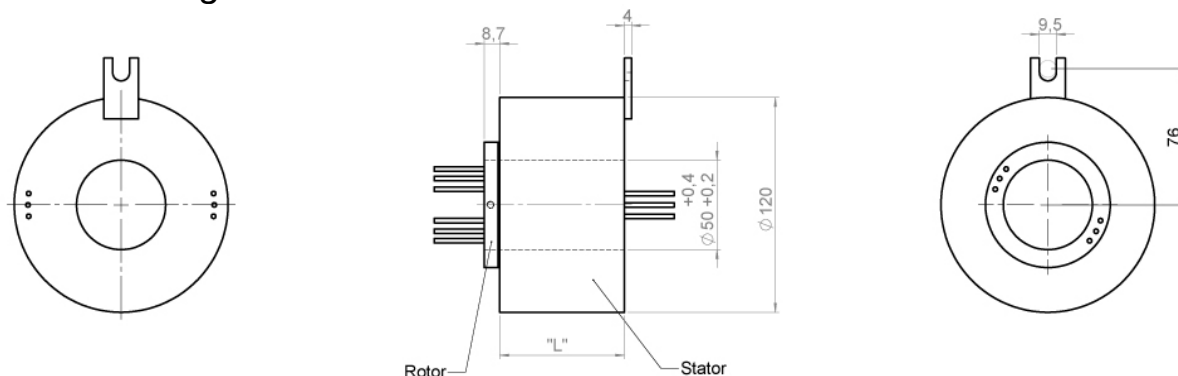
Redaregatan 2
Box 175
731 24 Köping
Sweden

Phone: +46 (0)221 - 137 60
Fax: +46 (0)221 - 195 42

Email: info@servotronic.se
Web: www.servotronic.se

SERVOTRONIC AB

CAD Drawing:



Critical Dimensions:

Model	Length (mm)	Current		Rings
		10A, 15A, 20A	5A	
SETH50-120	70	6	---	6
	70	---	12	12
	100	12	---	12
	100	---	24	24
	130	18	---	18
	130	---	36	36
	160	24	---	24
	160	---	48	48
	190	36	---	36
190	---	72	72	

Customization is available, OEM&ODM is welcome!